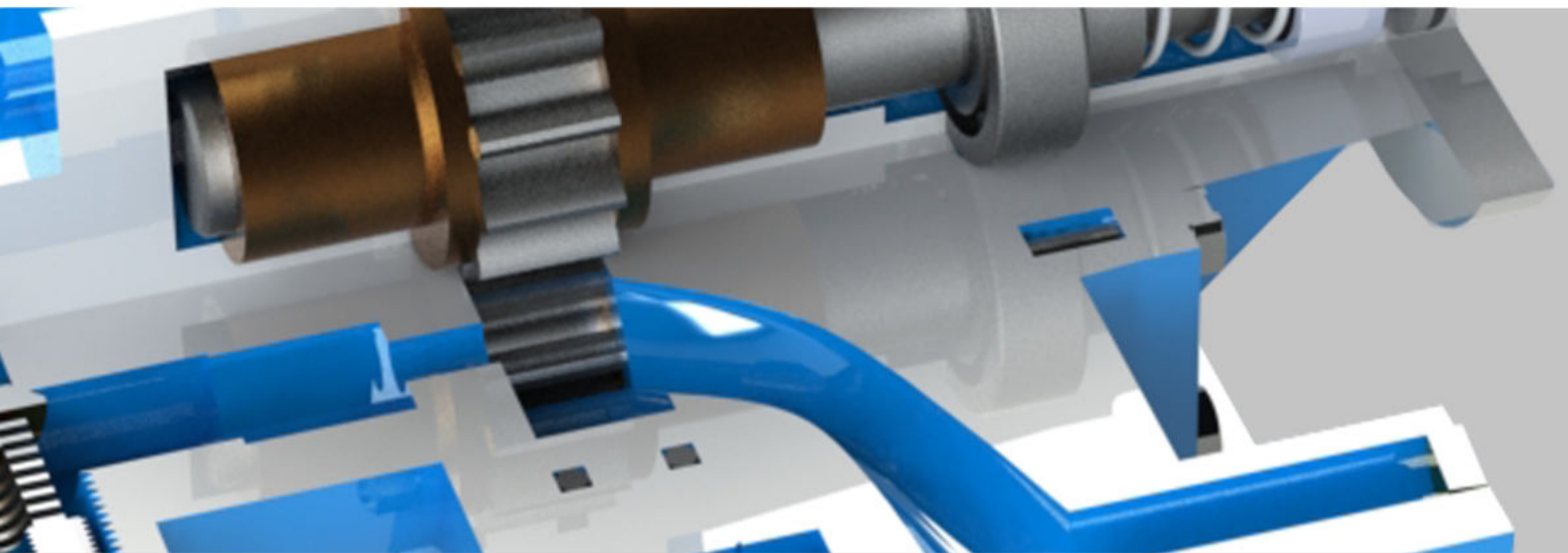


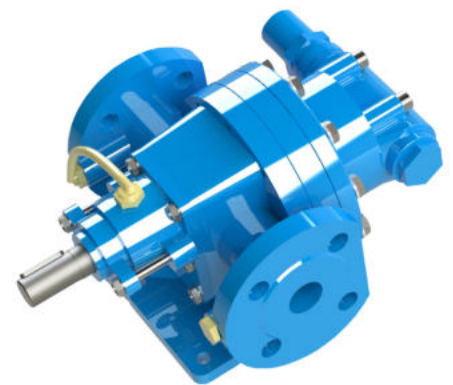


VESTAPOMP
Makes life comfortable

VESTA



External Gear Pumps



About Us

We have been designing and producing various models of pumps to be used in different fields of industry. Experienced in product selection and production, our staff renders the services which meet the requirements of the industrial enterprises with after sales support and services which maintain our long term business relationships.

Since various fluids used in many sectors present different properties such as durability, viscosity, radiance, temperature, pressure, grains, contamination, abrasion, we have designed customized pumps according to each fluid/viscose type and developed and diversified our product range in line with your requests and requirements. We produce Diaphragm Pumps, Hot Oil Pumps, Gear Pumps, Twin Screw Pumps, Centrifugal Pumps, Vortex Pumps. The pumps we produce with our long years of experience are used in food, textile, paint, cleaning, energy, chemistry sectors.

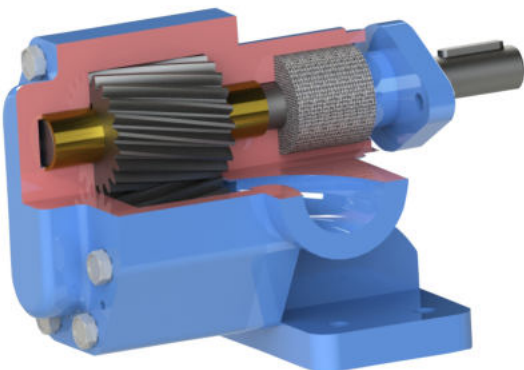
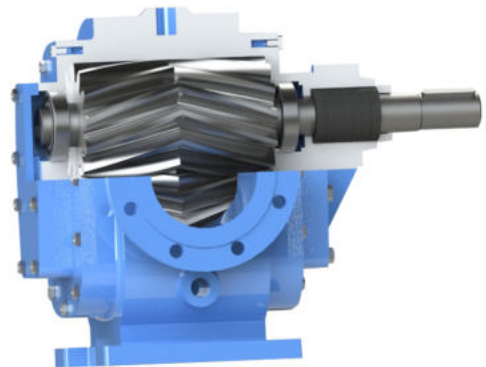
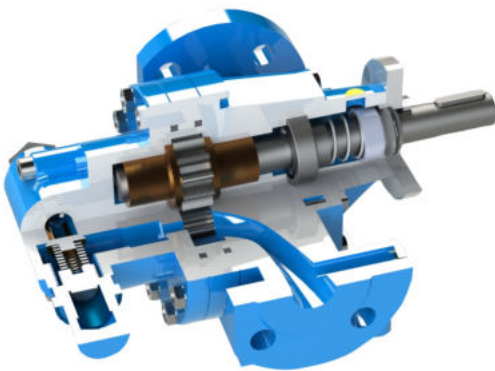
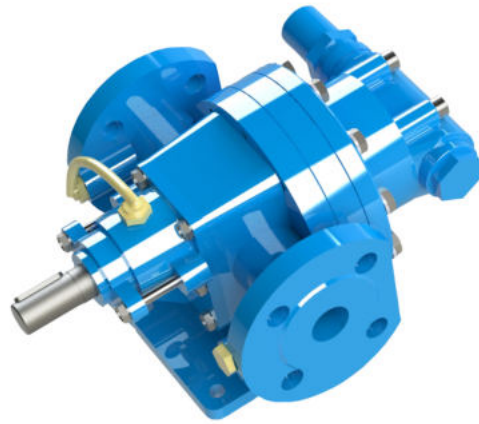
Our company is a pioneer in the production of diaphragm transfer pumps with VESTAPOMP brand. VESTAPOMP products are used in European Union and Middle East countries and CIS countries, and the number of countries that choose us is also increasing year by year. Whereas, this is our quality certificate and one of the most significant factors which also makes us strong, reliable and energetic in the sector.

You may consult us regarding your new pump purchases in order to contribute your company's production quality or request our assistance and support in providing maintenance and increasing efficiency of your pumps. In order for you to safely transfer your fluids through high quality pumps, we are always by your side with our competent and experienced staff.

Our aim is to provide quality products and services to our customers.

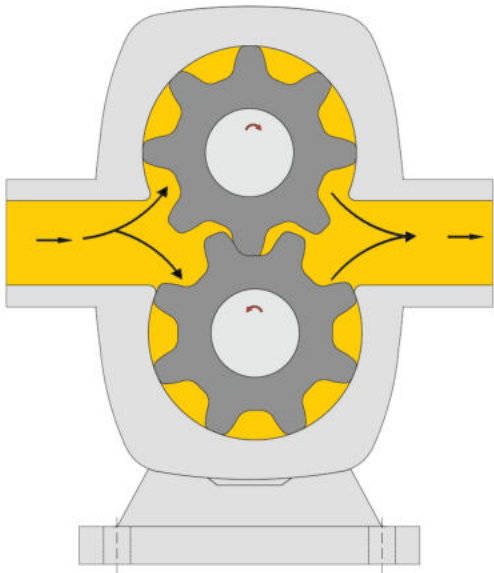
Our Product Portfolio

- External Gear Pumps
 - . Hellical Gear Pumps
 - . Herringbone Gear Pumps
 - . Monoblock Gear Pumps
 - . High Pressure Gear Pump



External Gear Pump

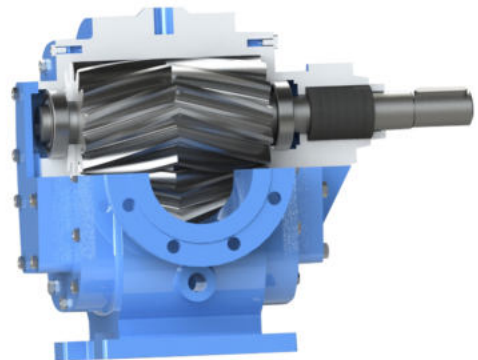
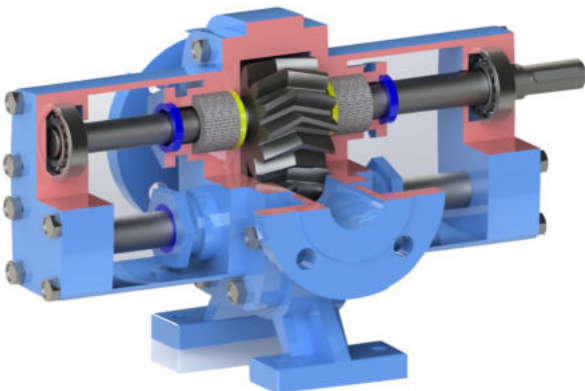
How Do the External Gear Pumps Works?



Gear Pumps are comprised of a fixed casing two (2) or more meshing gears of equal size. Normally one gear is coupled to the drive shaft while the other runs as an idler. The interaction of the meshing gears and close tolerance of the casing, create the vacuum and the pressure which carry the fluid through the pump. Gear pumps are usually bidirectional and produce no pulsation. The fluid being pumped lubricates the close tolerance wear surfaces, therefore this unit should not be allowed to run dry or be used with abrasive laden liquids.

Transferred To Liquid :

Chocolate, Glucose, Cacao oil, Vegetable oil, Molasses, Animal fats, Gelatin, Paints, Adhesive, Solvents, Toluene, Paraffin, Wax, Detergent, Glycerine, Asphalt, Fuel-oil, Coustics, Shampoo, Bitumen, Mineral Oil, Natural Oil, Wine, Gazoline, Gum, Varnish, Ink Printers, Olive oil, Honey, Kerosene, Hot oil, Milk, Syrups, Cream, Astos, Soap Liquors, Tomato Juice, Naphtha, Greases, Alcohol, Crude oils, Coal Tar, Resin.



External Gear Pump

Pump Selection Chart

Pump Type	Capacity (m ³ /h)	Viscosity SSU	Speed(rpm)	Inlet - Outlet	Pressure (BAR)					
					2	3	4	6	10	15
					Power (KW)					
NDP - 01	1	500	1500	R 3/4"	0,37	0,37	0,55	0,55	0,75	1,1
NDP - 02	2	500	1500	R 1"	0,55	0,55	0,75	0,75	1,1	1,5
NDP - 03	3	500	1500	R 1 1/4"	0,55	0,75	0,75	1,1	2,2	3
NDP - 04	4	500	1500	R 1 1/4"	0,75	1,1	1,6	2,2	3	4
NDP - 05	5	500	1500	R 1 1/4"	1,1	1,5	2,2	3	4	5,5
NDP - 06	6	500	1500	R 1 1/4"	1,5	2,2	2,2	3	4	5,5
NDP - 10	10	1000	1000	R 2"	3	3	4	5,5	7,5	11
NDP - 15	15	1000	1000	DN 65	4	4	5,5	7,5	11	15
NDP - 20	20	1000	1000	DN 65	4	5,5	7,5	11	22	30
NDP - 30	30	1000	1000	DN 80	5,5	7,5	11	15	22	37
NDP - 40	40	1000	1000	DN 80	7,5	11	15	22	30	45
NDP - 50	50	1000	1000	DN 100	7,5	11	15	22	30	45
NDP - 75	75	1000	1000	DN 125	11	15	22	30	37	
NDP - 100	100	1000	1000	DN 150	18,5	22	37	45	55	

Viscosity Conversion Chart

SSU	Stokes	Centi Stokes	Poises	Centi Stokes	Engler Seconds	Real Wood No:1 Seconds	Sample Liquid
31	0,010	1,000	0,008	0,800	54	29,000	Water
35	0,025	2,560	0,020	2,050	59	32,100	Kerosene
50	0,074	7,400	0,059	5,920	80	44,300	No 2 Fuel-oil
80	0,157	15,700	0,126	12,600	125	69,200	No 4 Fuel-oil
100	0,202	20,200	0,162	16,200	150	85,600	Transformeoil
200	0,432	43,200	0,346	34,600	295	170,000	Hidrolik
300	0,654	65,400	0,522	52,200	470	254,000	SAE 10 Oil
500	1,100	110,000	0,880	88,000	760	423,000	SAE 20 Oil
1000	2,160	220,000	1,730	173,000	1500	896,000	SAE 30 Oil
2000	4,400	440,000	3,520	352,000	3000	1690,000	SAE 40 Oil
5000	10,800	1080,000	8,800	880,000	7500	4230,000	SAE 50 Oil
10.000	21,600	2160,000	17,000	1760,000	15000	8460,000	SAE 60 Oil
50.000	108,000	10800,000	88,000	8800,000	75000	43660,000	Malasses B
100.000	216,000	21600,000	173,000	17300,000	150000	88160,000	Malasses C

Speed Selection Chart For Viscous Liquids

Viscosity Centi Stokes	1	110	220	1100	2200	11000	22000
Speed rpm	1500	1500	1000	800	500	300	200

External Gear Pump

General Spec Of Gear Pumps

FLOW : 0,5 – 200 m³/h

PRESSURE : 0 – 15 BAR

PERFORMANCE : Positive displacement.

Little flow decrease with pump pressure increase. Flow increases with speed increase.

NPSH: 0 – 6 meter

LIQUID : All the viscous liquids free from abrasives corrosive substances

NOISE : Pulsation-Free

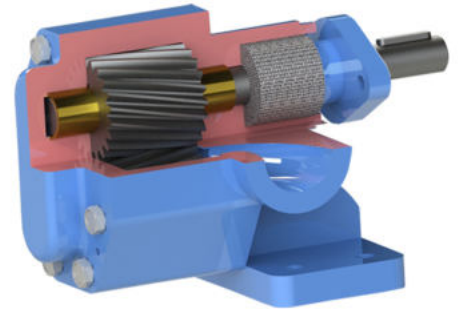
POWER REQUIRED : Power demand increases with speed and pressure

DISCHARGE LINE : Positive displacement relief valve necessary to shut off

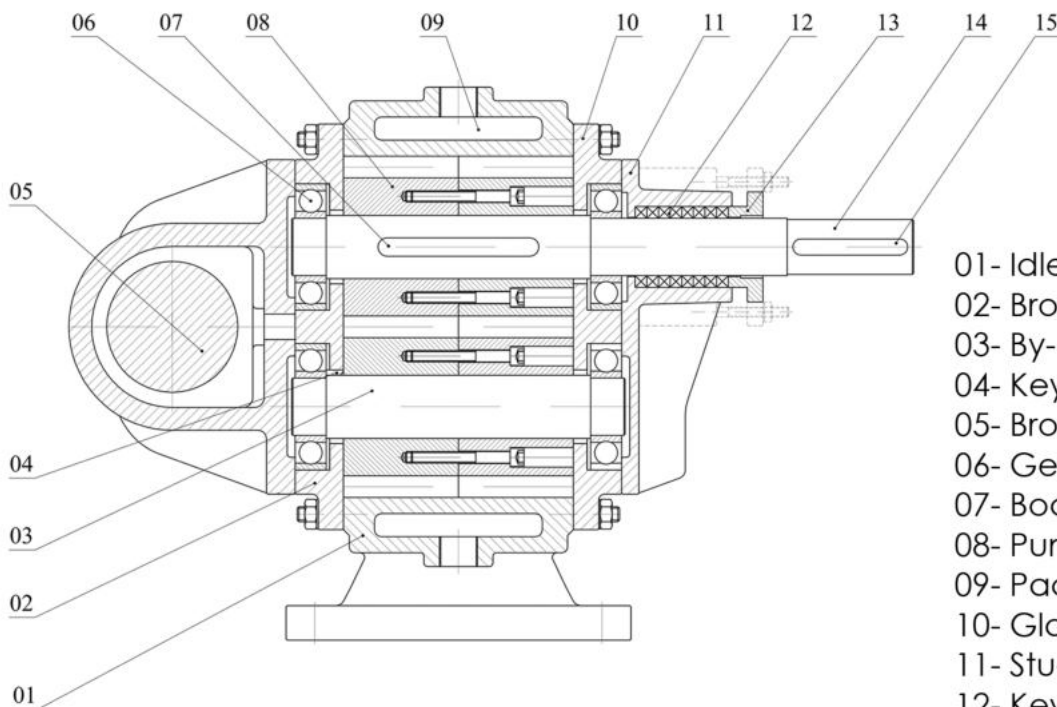
TEMPERATURE : max. 180 °C

VISCOSITY : max. 22.000 SSU

SEAL ARRANGEMENT : Packing Seal – Mechanical Seal

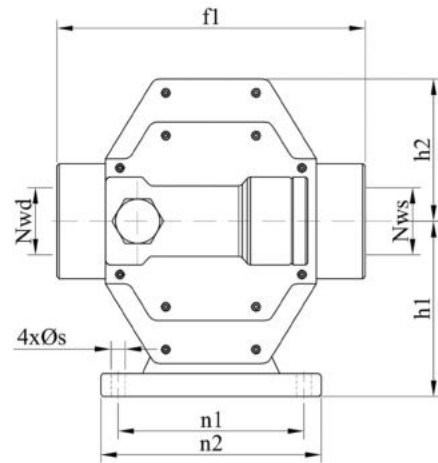
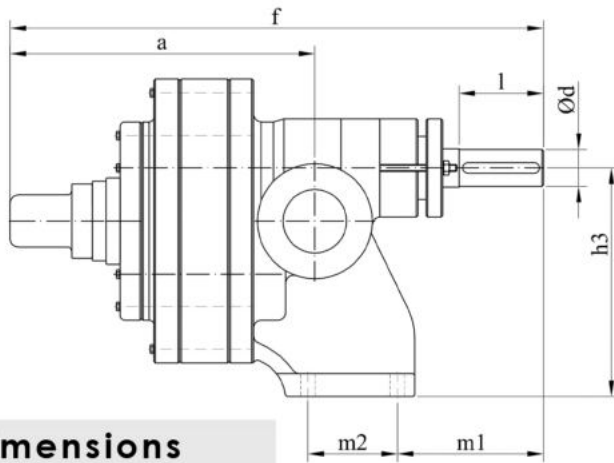


Section View



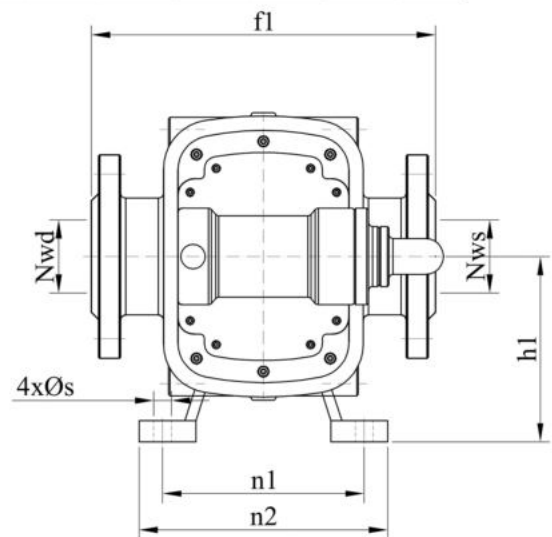
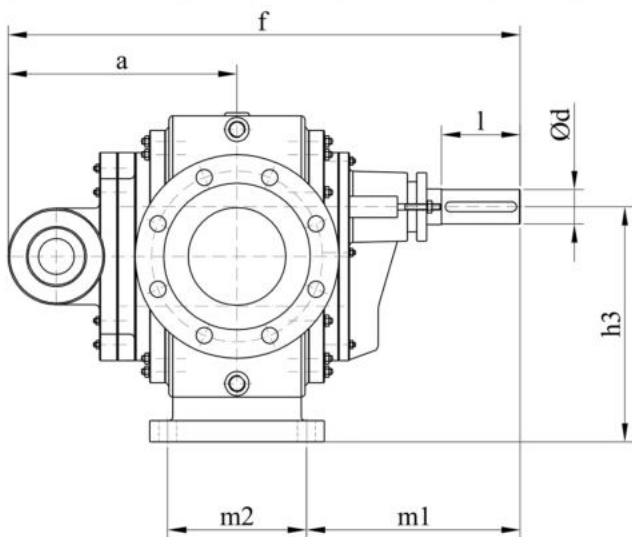
- 01- Idler Shaft
- 02- Bronze Bearing
- 03- By-Pass
- 04- Key
- 05- Bronze Bearing Cover
- 06- Gear
- 07- Body
- 08- Pump Body
- 09- Packing
- 10- Gland
- 11- Stud
- 12- Key
- 13- Main Shaft

External Gear Pump



Dimensions

POMPA TIPI PUMP TYPE														
	Nws	Nwd	a	f	fl	m1	m2	n1	n2	Øs	h1	h3	l	Ød
NDP-01	R3/4"	R3/4"	150	360	102	88	30	70	100	10	63	85	40	16
NDP-02	R 1"	R 1"	160	370	125	95	40	90	120	10	92	115	40	18
NDP-03	R 1"	R 1"	170	380	125	95	40	90	120	10	92	115	40	18
NDP-04	R1 1/4"	R1 1/4"	190	400	125	100	40	90	120	12	92	115	40	18
NDP-06	R1 1/2"	R1 1/2"	200	410	160	110	50	100	130	12	100	134	45	24
NDP-10	R1 1/2"	R1 1/2"	260	470	160	110	50	100	130	12	100	134	45	24



Dimensions

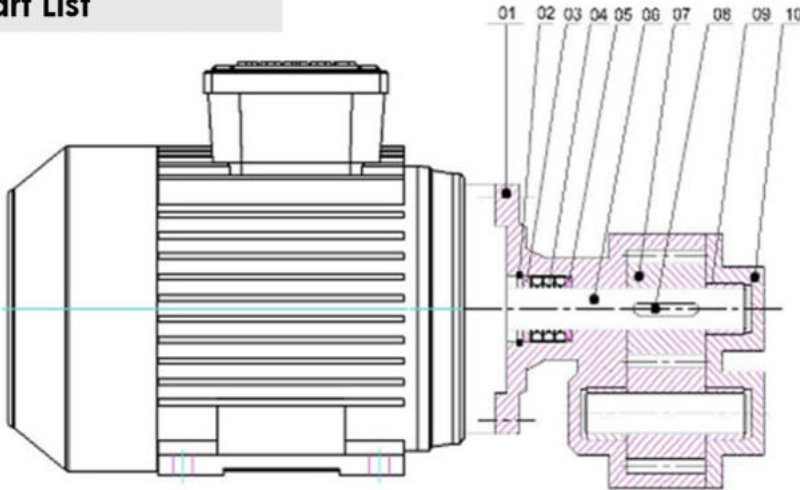
POMPA TIPI PUMP TYPE														
	Nws	Nwd	a	f	fl	m1	m2	n1	n2	Øs	h1	h3	l	Ød
NDP-15	DN 65	DN 65	290	490	305	218	55	180	220	14	165	195	50	28
NDP-20	DN 65	DN 65	330	520	280	200	110	170	210	14	165	200	50	28
NDP-30	DN 80	DN 80	280	600	335	245	60	230	260	16	200	252	55	36
NDP-50	DN100	DN100	290	660	350	222	115	230	260	16	200	252	55	36
NDP-75	DN125	DN125	320	670	400	260	110	285	325	18	240	310	60	46
NDP-100	DN150	DN150	350	710	400	280	120	285	325	18	240	310	60	46

Monoblock Gear Pump



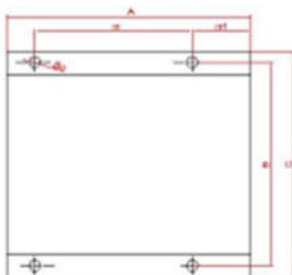
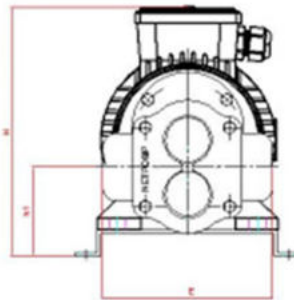
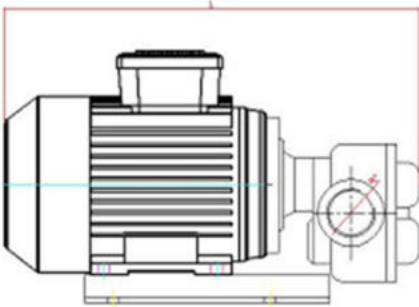
- *Concrete admixture
- *Diesel
- *Fuel-oil
- *Mineral oil
- *Vegetable oil
- *All the viscous liquids free from abbrasives and corrosive substances.

Part List



- 01- Pump Body
- 02- Ring
- 03- Gland
- 04- Felt Gasket
- 05- Main Shaft
- 06- Idler Shaft
- 07- Gears
- 08- Key
- 09- Sleeve Bearing
- 10- Covaer

Dimensions



POMPA TIPI Pump Type	Giriş/Çıkış Inlet/Outlet (R)	L	A	B	C	m	m1	H	h1	E	Ød	kg	Motor Gücü kw-dışak.
NDP - 3MB	R 1 1/4"	375	217	180	200	140	52	220	80	150	10	18	0,75 kw- 1500dışak.
NDP - 3MB	R 1 1/4"	400	217	180	200	140	52	240	90	150	10	18	1,1kw- 1500dışak.

High Pressure Gear Pump

High Pressure Gear Pumps

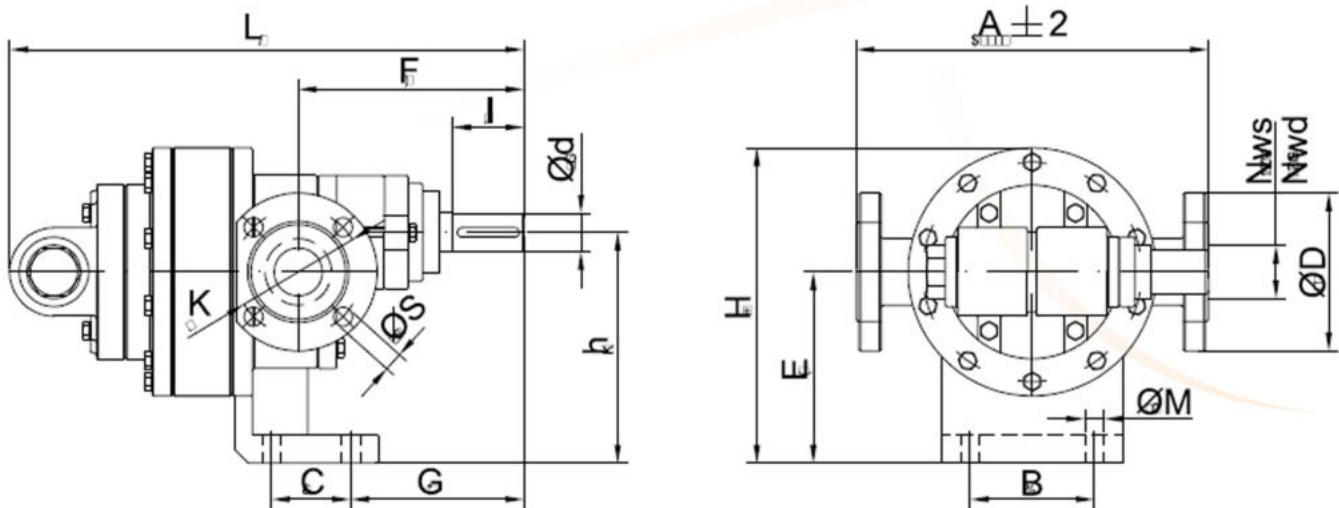
High pressure gear pumps produce high discharge pressures and metered flow because of positif displacement when discharge line is sevevelf prestricted or completely closed an external relief valf is required to prevent motor overload and line breakage .

All gear pumps are self-priming allthough a foat valve is recommendet. capacity varies directly with motor speed. the power required varies directly as capacity and pressure.

Because of the close internal tolerances pump be protected with a suitable filter loss in suction line must not exceed 0,5 kg/cm²

Using Areas

Burner pumps
For fuel-oil and oils



Dimensions

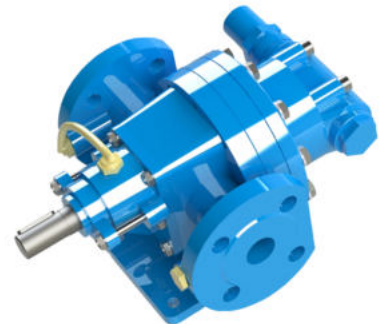
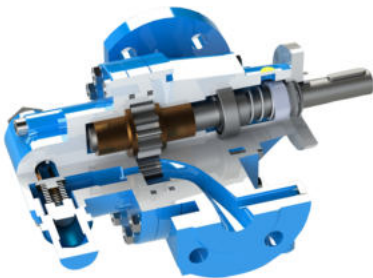
POMPA TIPI Pump Type	A	B	C	E	G	H	h	F	L	I	Ød	ØD	ØM	N _{ws} N _{wd}	h	ØS
NYP 22	220	120	65	107	90	260	132	152	276	50	24	140	4x12	32	100	4x18
NYP 32	220	120	65	107	90	260	132	152	280	50	24	140	4x12	32	100	4x18
NYP 44	220	120	65	107	90	260	132	152	290	50	24	140	4x12	32	100	4x18
NYP 60	220	120	65	107	90	260	132	152	300	50	24	140	4x12	32	100	4x18
NYP 100	280	170	70	142	130	315	180	182	320	65	34	150	4x14	40	110	4x18
NYP 120	280	170	70	142	130	315	180	182	324	65	34	150	4x14	40	110	4x18
NYP 170	280	170	70	142	130	315	180	182	340	65	34	150	4x14	40	110	4x18

High Pressure Gear Pump

Pump Selection Chart

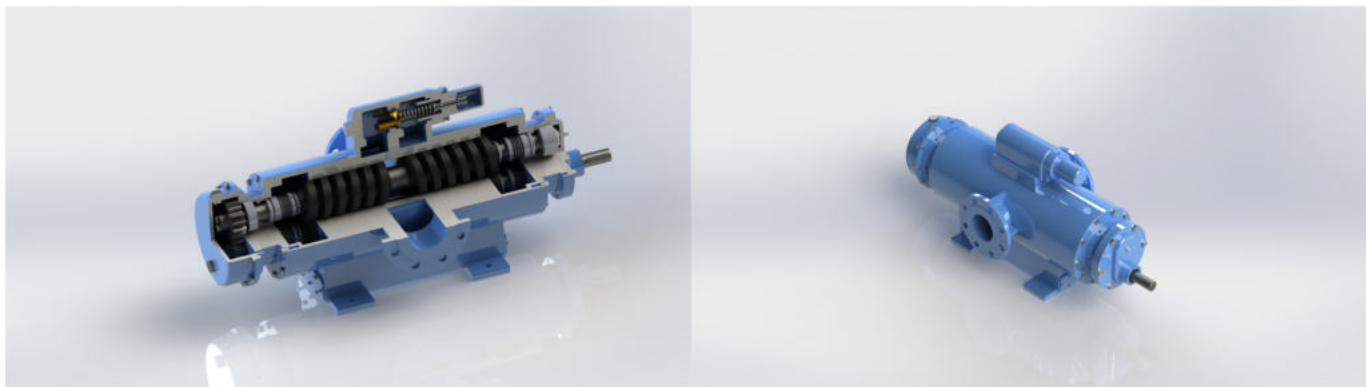
POMPA TİPİ Pump Type	GİRİŞ-ÇIKIŞ Inlet-Outlet	kg/cm ² →	10	20	30	40	50	60	n:d / dak (rpm)
NYP 22.15	32	m ³ /h →	1,17	1,15	1,14	1,13	1,12	1,08	1450
		kW →	1,1	1,5	3	3	4	4	1450
NYP 32.15	32	m ³ /h →	1,74	1,71	1,65	1,62	1,61	1,41	1450
		kW →	1,5	2,2	3	4	5,5	5,5	1450
NYP 44.15	32	m ³ /h →	2,31	2,21	2,11	2,01	1,91	1,81	1450
		kW →	2,2	3	4	4	5,5	7,5	1450
NYP 60.15	32	m ³ /h →	3,31	3,21	3,19	3,11	3,05	3,01	1450
		kW →	3	4	5,5	7,5	7,5	11	1450
NYP 100.15	40	m ³ /h →	5,35	5,11	4,71	4,61	4,51	4,21	1450
		kW →	4	5,5	7,5	11	15	15	1450
NYP 120.15	40	m ³ /h →	6,61	6,45	6,31	6,25	6,21	6,01	1450
		kW →	5,5	7,5	11	15	18,5	18,5	1450
NYP 170.15	40	m ³ /h →	9,51	9,41	9,35	9,21	9,11	8,91	1450
		kW →	11	15	15	18,5	22	22	1450

POMPA TİPİ Pump Type	GİRİŞ-ÇIKIŞ Inlet-Outlet	kg/cm ² →	10	20	30	40	50	60	n:d / dak (rpm)
NYP 22.10	32	m ³ /h →	0,78	0,76	0,75	0,74	0,73	0,72	1000
		kW →	0,75	1,1	2,2	2,2	3	3	1000
NYP 32.10	32	m ³ /h →	1,16	1,12	1,11	1,08	1,06	0,92	1000
		kW →	0,75	1,5	2,2	3	4	4	1000
NYP 44.10	32	m ³ /h →	1,52	1,46	1,41	1,32	1,26	1,21	1000
		kW →	1,1	1,5	2,2	3	4	4	1000
NYP 60.10	32	m ³ /h →	2,21	2,12	2,06	2,02	2,01	1,92	1000
		kW →	2,2	3	4	4	5,5	5,5	1000
NYP 100.10	40	m ³ /h →	3,56	3,41	3,12	3,06	3,01	2,81	1000
		kW →	3	4	4	5,5	7,5	7,5	1000
NYP 120.10	40	m ³ /h →	4,41	4,31	4,21	4,16	4,12	4,01	1000
		kW →	4	5,5	7,5	11	15	15	1000
NYP 170.10	40	m ³ /h →	6,32	6,26	6,22	6,12	6,06	5,62	1000
		kW →	7,5	11	11	15	16	18,5	1000



Other Products

Twin Screw Pumps



Max. Capacity 250 m³/h
Max. Pressure 40 bar
Max. Temperature 180 C

Diaphragm Pumps



Max. Capacity 53 m³/h
Max. Pressure 7 bar
Max. Temperature 100 C

Hot Oil Pumps

Max. Capacity 350 m³/h
Max. Pressure 9 bar
Max. Temperature 350 C



Vesta Pump Head Office

Address: Yeşilbağlar Mh. Selvili Sk. No:2 Helis Beyaz Ofis Kat:7

Pendik / İstanbul / Turkey

Tel : [+90] 216 518 44 40

Faks: [+90] 216 518 44 40

E-mail : vesta@vestapump.com