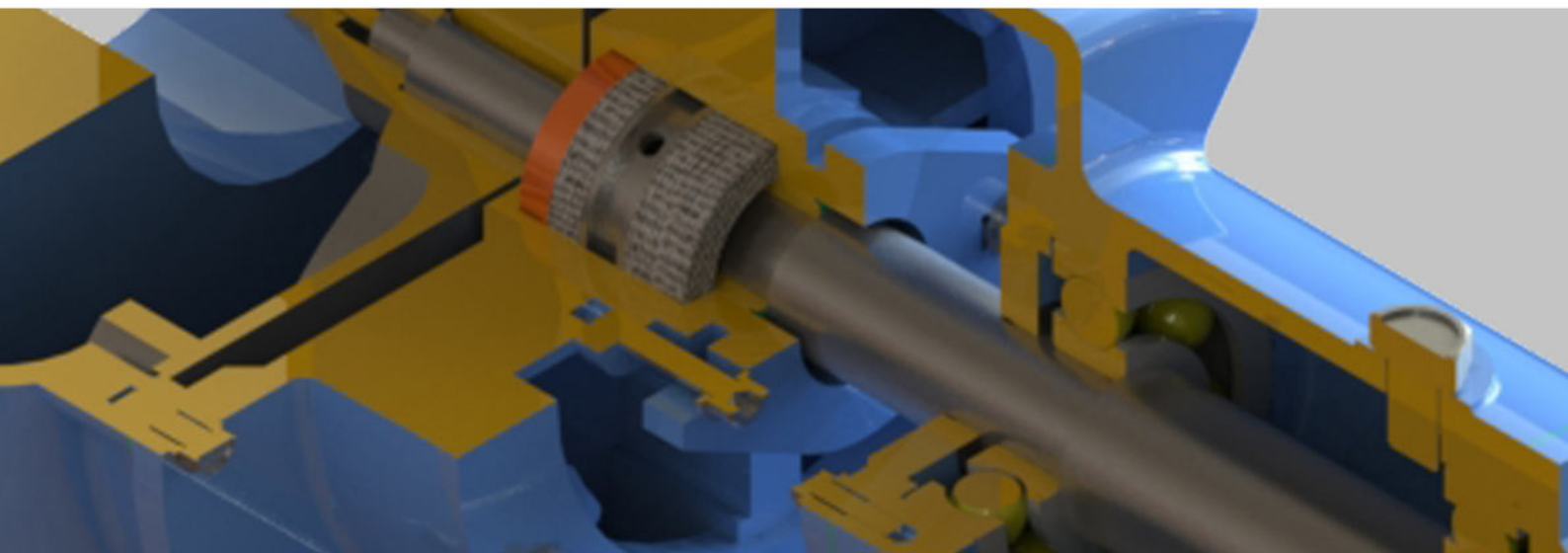




VESTAPOMP
Makes life comfortable

VESTA



Vortex Pumps



About Us

We have been designing and producing various models of pumps to be used in different fields of industry. Experienced in product selection and production, our staff renders the services which meet the requirements of the industrial enterprises with after sales support and services which maintain our long term business relationships.

Since various fluids used in many sectors present different properties such as durability, viscosity, radiance, temperature, pressure, grains, contamination, abrasion, we have designed customized pumps according to each fluid/viscose type and developed and diversified our product range in line with your requests and requirements. We produce Diaphragm Pumps, Hot Oil Pumps, Gear Pumps, Twin Screw Pumps, Centrifugal Pumps, Vortex Pumps. The pumps we produce with our long years of experience are used in food, textile, paint, cleaning, energy, chemistry sectors.

Our company is a pioneer in the production of diaphragm transfer pumps with VESTAPOMP brand. VESTAPOMP products are used in European Union and Middle East countries and CIS countries, and the number of countries that choose us is also increasing year by year. Whereas, this is our quality certificate and one of the most significant factors which also makes us strong, reliable and energetic in the sector.

You may consult us regarding your new pump purchases in order to contribute your company's production quality or request our assistance and support in providing maintenance and increasing efficiency of your pumps. In order for you to safely transfer your fluids through high quality pumps, we are always by your side with our competent and experienced staff.

Our aim is to provide quality products and services to our customers.

Vortex Pumps

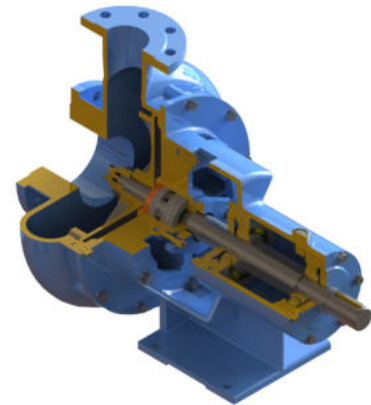
Vortex Pumps

How Does Vortex Pumps Work :

Operating principle vortex pumps circulate without clogging because of its specially designed open wings of its impeller. 15 of the fluid pumped gets into contact with the impeller, the remaining part of the fluid is directed to the pressing port without contacting the impeller by a second vortex motion. due to the contact of the fluid with the impeller is less, wear is lessened to minimum. due to the wear in the body, no flow rate and pressure loss is occurred.

Vortex Pumps Types :

- Dia Block
- Monoblock
- Vertical Monoblock
- Wet PTT
- General Purpose



Its Advantages :

- Clog free : Large solid particles in the size of outlet diameter pass without any choking interference no problems with long fibres.
- Free passage : Liquid flow passages are not intercepted by impeller only 15 of the pumped liquid passes through the wings.
- Soft pumping action : No damage crystals, because of the slow build up of pressure in the casing.
- Non vibrational operation : The impeller is concentric to the casing very little radial load on bearing no effect of volute.
- Good mixing effect : Due to the continuously changing speed in the casing, mixing is achieved.
- Pumping of liquids having a high solids content or viscosity : This is a result of vortex effect.

Specifications :

- Concentric impeller to casing
- No seaung ring on impeller
- Incorporation of a mechanical seal
- Back vanes on impeller
- Easy access desing



Vortex Pumps

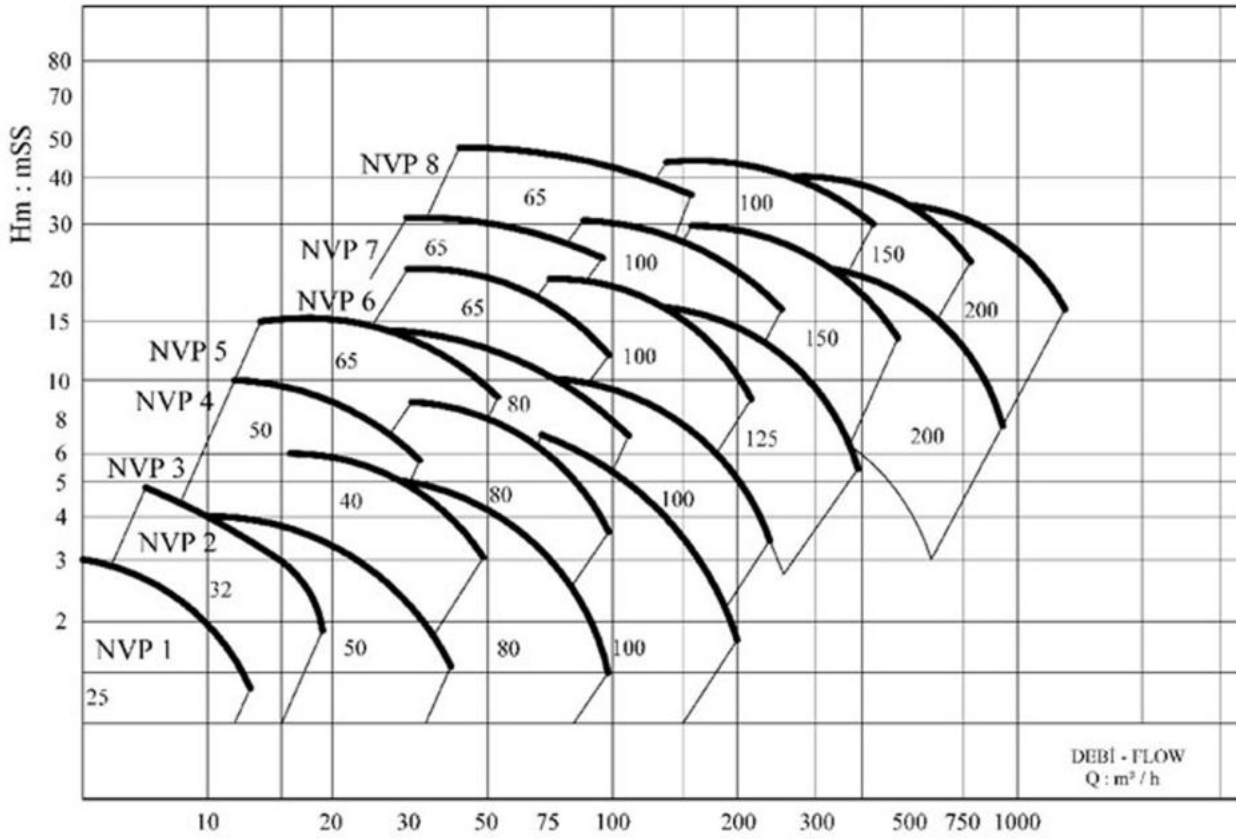
Applications Of Vortex Pumps

- **Waste waters** : Raw unscreened sewage, raw sludge 90, digested sludge, domestic sewage, fish water.
- **Paper industry** : Cellulose and semi-cellulose, waste paper, rag and rag pulp, straw pulp, bagasse stringy textile pulp, linters, brokes, kaolin 80
- **Food industry and agriculture** : Vegetables (peas, beans, carrots), fish offal, potatoes mash, mussels pig food, liquid stable cleaning, liquid manure, bone meal, chicken waste with feathers, perlite-grounded and fluid.
- **Building industry** : Sand and gravel in water. gas-concrete, slurry.
- **Sugar industry** : Beet and beet chip-mixtures, beet tails, leaves and grass with water, milk of lime sludge from the setting tanks, thin and thick juices with.
- **Chemical industry** : Crystal suspensions filter substances, caustic soda solution 50, tanning solution, colour dyes, sulphuric acid oxalic acid with paste additives. water with powdered coal solution, polystyrene globules with water, methyl crystals, hot brine, aluminium 30, magnesium sulphate, washing powder-slurries zinc slurry, dichlorobenzene sludge, glycerine and starch milk, latex, resing glue, water-glass paint suspensions, acetone slurry, organic boric acid crystals.
- **Textile industry** : Synthetic and naturel fibres, suspensions.
- **Steel and heavy industry** : Sinterforming water, coke and coal water mixtures, water with soot globules, granulated ore with water. ash-soot slurries, fluid for lapping meachines.
- **Petrochemical industry** : Test petrol with fuller's eart, dichloromethane with over, ure-parafin, raw with coke, bitumen suspensions, raw oil, fuel-oil slack wax. slops catalytic sludge, leatherwaste, leatherfibres with water.

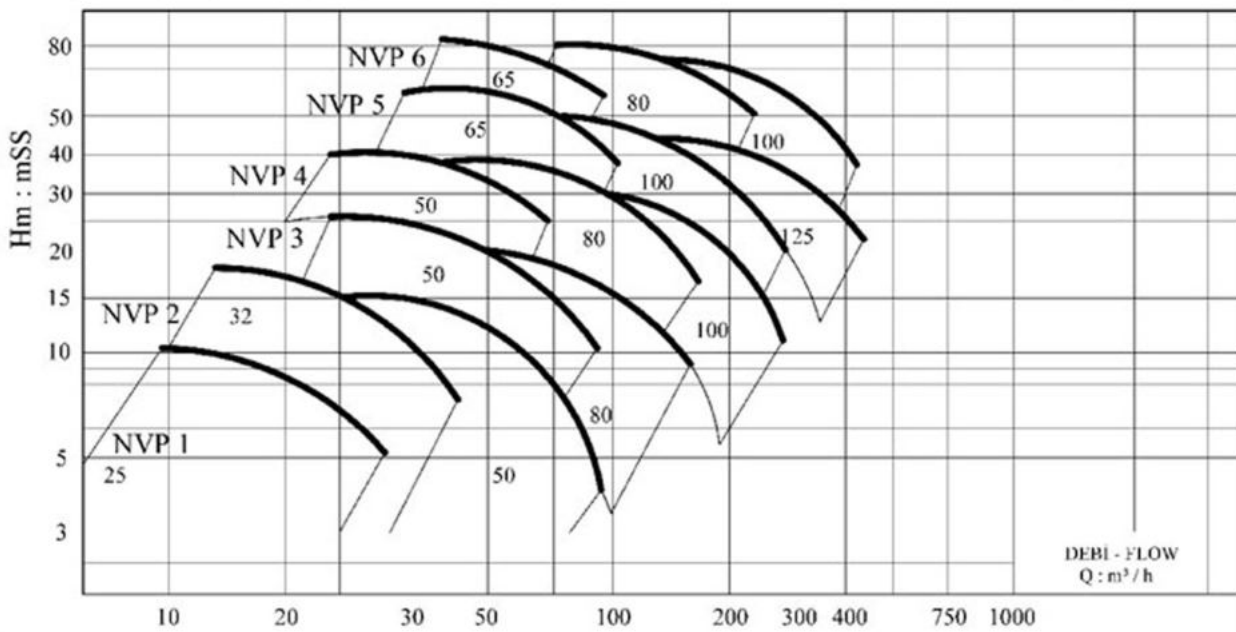


Performance Curves of Vortex Pumps

Viskozite : 1 cSt, Yoğunluk : 1kg /dm³, n : 2900 d /dak , Güç : kw Viscosity : 1 cSt, Density:1kg /dm³, n : 1450 rpm , Power : kw

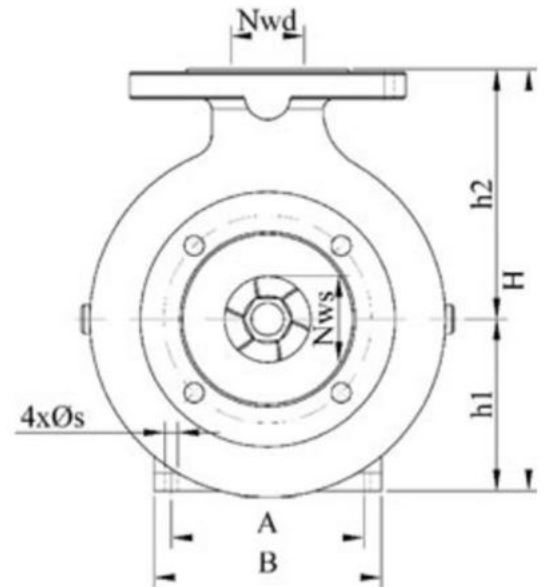
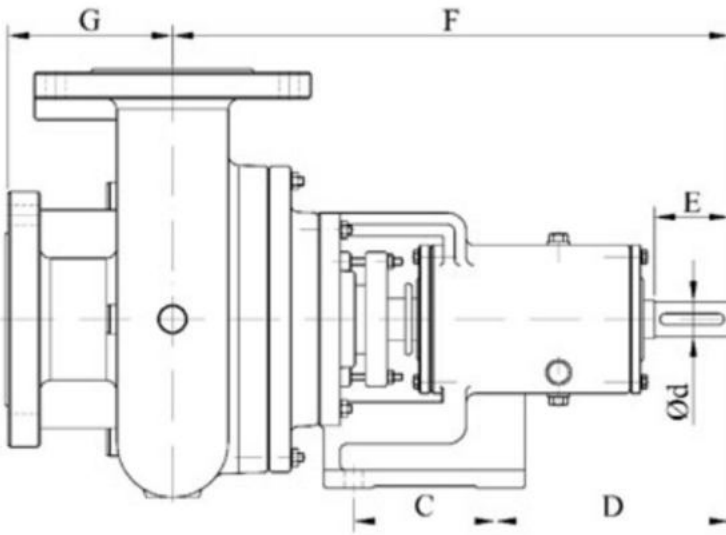


Viskozite : 1 cSt, Yoğunluk : 1kg /dm³, n : 2900 d /dak , Güç : kw Viscosity : 1 cSt, Density:1kg /dm³, n : 2900 rpm , Power : kw



Vortex Pumps

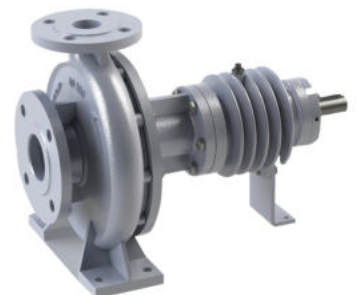
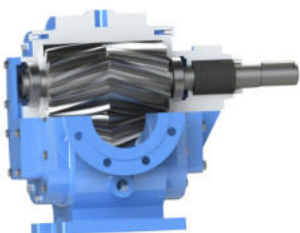
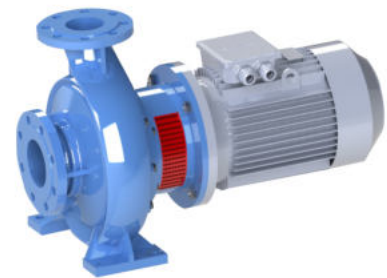
Dimensions



Pompa Tipi Pump Type	FLANŞLAR PN 16 DIN 2501 TS 816/4 / FLANGES PN 16 DIN 2501 TS 816 / 4													
	Nws	Nwd	A	B	C	D	E	F	G	h1	h2	H	Ød	Øs
NVP 1. 25	50	25	130	170	100	170	50	360	75	112	180	292	24	12
NVP 2. 32 NVP 2. 50	65	32 50	130	170	100	170	50	360	75	112	180	292	24	12
NVP 3. 40 NVP 3. 80	65 100	40 80	130	170	100	170	50	360	75 85	112	180 200	292 312	24	12
NVP 4. 50 NVP 4. 80 - 100	65 100	40 80	140	180	110	200	60	405	90 110	132	180 220	312 352	28	13
NVP 5. 50 - 65 NVP 5. 80	80 100	50 65	150	190	125	220	70	490	110 120	160	200 220	360 380	34	14
NVP 6. 50 - 80 NVP 6. 125	80 125	65 80	180	220	165	235	80	515	120 140	160	250 280	450 480	38	16
NVP 7. 50 - 80 NVP 7. 100 - 200	100 200	80 150	200	240	180	260	100	580	140 160	200	260 280	480 500	42	18
NVP 8. 65 - 100 NVP 8. 125 - 200	125 200	100 150	220	260	200	280	120	600	160 180	220	280 300	520 540	42	18

Our Product Portfolio

- Diaphragm Pump
 - . Metallic Body Pumps
 - . Plastic Body Pumps
 - . Hygenic Pumps
 - . Electromechanical Diaphragm Pumps
 - . Powder Pumps
 - . High Pressure Diaphragm Pumps
- External Gear Pumps
 - . Monoblock Gear Pumps
 - . High Pressure Gear Pump
- Twin Screw Pumps
- Centrifugal Pumps
 - . End Suction Centrifugal Pumps
 - . Monoblock Centrifugal Pumps
 - . Inline Centrifugal Pumps
- Vortex Pumps
- Regenerative Pumps
- Armatures



Vesta Pump Head Office

Address: Yeşilbağlar Mh. Selvili Sk. No:2 Helis Beyaz Ofis Kat:7

Pendik / İstanbul / Turkey

Tel : [+90] 216 518 44 40

Faks: [+90] 216 518 44 40

E-mail : vesta@vestapump.com